



THE EYE INTO THE FUTURE

 PORSCHE CLUB OF AMERICA
Über Alles
Western Michigan Region

Let's Get Together:
Annual Cook-off

Techspalte: Maintaining Your Porsche

In Review:

Taycan Launch Party
Daylight Savings Brunch
Garage Kept Motors
Dinner at Schaendorf Brewing Co.

800 volts of Auf Wiedersehen.

Say hello to perhaps the most electrifying Porsche to ever come out of Stuttgart. The Porsche Taycan. A fast-charging 800-volt system architecture propels you from 0-60 in just 2.6 seconds - again and again. An advanced cockpit marvels driver and passengers alike. All infused with clear Porsche design DNA. Say goodbye, garage.

**Experience true electrified performance.
The all new Taycan Turbo S.**



Porsche Grand Rapids
6025 28th Street SE
Grand Rapids, MI 49546
616-988-9797
porschegrandrapids.com

© 2020 Porsche Cars North America, Inc. Porsche recommends seat belt usage and observance of traffic laws at all times.
European model shown. Some options may not be available in the U.S.



PORSCHE



PORSCHE



IGNITION

APRIL, 2020



In this Issue...

President's Letter	4
April/May Events	4 • 5
Taycan Launch Party	6
Snap Shots	7
2020 Event Calendar	8 • 9
In Review	9 • 11 • 13
Techspalte	12
Officers & Chairpersons	13
Classifieds	14 • 15
Tailpipe	15

June EVENTS

TECH SESSION

June 06, 2020

Hosts: Euro Autowerks
Rockford, MI

Show your Support by Visiting Our Advertisers!

Porsche Grand Rapids.. Inside Front Cover	
Deming's Auto Collision	10
Lakeside Automotive.....	10
Great Lakes Chemical.....	10
Foreign Car Services.....	11
German Auto.....	11
WMR PCA Badge	15
Mosaic Wealth	15
Euro Autowerks.....	Back Cover

PORSCHE CLUB OF AMERICA
Uber Alles
 Western Michigan Region

On the cover:
 Taycan at Porsche GR
 Photo taken by WB

WELCOME TO SPRING

LETTER FROM THE PRESIDENT



Jim Chiavaras
President, Western Michigan Region

As the weather warms and we begin each day with more sunlight, I can only hope that the Coronavirus will be a distant memory so that we can enjoy upcoming events without interruption. It was great seeing everyone at the daylight savings brunch at the new venue -One Trick Pony hosted by Wolfgang Bubeck while Miluzka, I am told, was in sunny Florida. We then had a get together at Porsche Grand Rapids for the unveiling of the new Taycan which has a base price of \$103,000 for the 4S model and \$185,000 for the Turbo S for those of you interested in high priced electric vehicles.

Grattan Pub was slated to be our next get together which is always a well-attended event and a nice tribute to our friend Kurt Wirth. Unfortunately, it will have to be rescheduled due to the statewide restaurant closure.

I hope we will not have to cancel any further events as we all look forward to a spring with driving events, good friends and of course good dining experiences.

Just a thought that maybe we can all meet at a particular venue, order takeout, roll down the windows and eat together. In the meantime, I hope to see everyone soon and please stay safe and healthy and as all of you have heard ad nauseam, wash your hands.



All the best,

Jim

ANNUAL COOK-OFF

HOSTS: FRANK & RAENI CONNER

Meat, Meat, Meat! This year we are going prehistoric!

Well, with some culinary elegance and probably a delightful sauce or two on the side.



The rules are simple, bring your best version of a barbecue, smoked, shredded, or pulled meat. It can be beef, pork, chicken, turkey, etc. The cost is either \$10.00 per person (collected at the event) OR a chef who brings a dish with at least two quarts of meat enters

at no charge and will vie for Judge's and People's Choice prizes. Hors d'oeuvres, side dishes, and dessert will be provided by the hosts. **BYOB!**

Where: Frank and Raeni Conner's Home
3820 Egypt Valley Ave Ada, MI 49301

When: Saturday, April 18, 2020 at 6:30pm

RSVP: connerfr@gmail.com or call 616.874.4085
by Wednesday, April 15, 2020



ACCESS THE MONTHLY MEETING MINUTES ON OUR WEBSITE.

[HTTP://WMI.PCA.ORG/ABOUT-US/MINUTES/MINUTES-ARCHIVE/](http://wmi.pca.org/about-us/minutes/minutes-archive/)



We're looking for event hosts for 2020

Simply stop by our Monthly Board Meeting, or contact our WMR PCA Social Events Coordinator, Lynne Olenyk, with your event ideas. Lynne will help you work through the details and make your event a success. E-Mail: lynniemarie@charter.net · Phone: (616) 710-0122



GR AUTO GALLERY - LUNCH DRIVE

HOSTS: GLENN & LANNIE EISENBRANDT

The plan has been to have a WMR PCA only cars and coffee at GR Auto Gallery on May 9th from 9:00 AM to 11:00AM followed by a drive. We will leave GR Auto Gallery at 11:30AM for a drive around the eastern side of Grand Rapids to Third Nature Brewing Company. About 1:00PM we would arrive at Third Nature Brewing Company for a Brat buffet and of course plenty of beer.

With the current uncertainties, at this time we do not know if either of these places will be available May 9th. As the date gets closer we will have a better picture and will keep everyone informed. Keep an eye on the WMR PCA Website and your email.

As a minimum we hope to have a drive maintaining social distancing if it is still required. If distancing is still required we will all be going crazy and will need a good drive!

When: Saturday, May 09th @ 09:00

Where: GR Auto Gallery

GRautogallery



SPORTING CLAYS SHOOT OFF

HOSTS: JERRY ARENS & AMBER DOOR

Up for a little "golf with a gun"? Then plan to come out for this event. For those unfamiliar with Sporting Clays it is a form of clay pigeon shooting on a course that consists of shooting stations "holes" in natural terrain. Unlike traditional skeet shooting sporting clays simulates the unpredictability of live-quarry shooting, offering a great variety of trajectories, angles, speeds, elevations, and distances. Trust is when we say: **"No skill or previous shooting experience"** is required to participate and have fun".

This event is outside along a groomed trail - rain or shine. As part of the trail is in the wood every in the rain there is a lot of protection from the weather. Please wear appropriate clothing and shoes. Eye and ear protection is **REQUIRED**. Regular glasses/sunglasses are adequate and they do have some protective eyewear available, but if it's busy they may run out. They also sell earplugs. Guns are available to rent for \$10.00 (2 people can share 1 gun) and of course ammunition is available for sale.



The cash cost (\$2.00 higher for credit card use) will be \$26.00, not including gun (-\$10.00) and ammunition (-\$7.59/box) - 2 boxes required. You are more than welcome to bring your own shotgun and ammunition. Additionally, if you would like to participate, but are unsure about the walking distance let us know.

You are also welcome to join us to spectate and wander through the wood with us or just hang out inside until we head for lunch!

Join us for our 8th Annual Sporting Clays Shoot off.

When: Saturday, May 16th @ 10:00 (arrive) for a 10:30 start

Where: Blendon Pines Gun Club
8455 88th Ave. Zeeland, MI 49464

RSVP by Thursday May 14th to Jerry Arens / Amber Door

Jerry's cell 616-340-2192 / jdarens62@aol.com

Amber's cell 616-340-0971 / amdoor242@aol.com

PORSCHE TAYCAN LAUNCH PARTY

BY: FRANK CONNER

PHOTOS BY: WB

On Wednesday, March 11, a dozen or so members of WMR PCA joined over 100 Porsche enthusiasts at Porsche Grand Rapids to participate in the reveal of the new 2020 Porsche Taycan Turbo S. There was a delightful array of food and drink, but the star of the show was the 0-60 in 2.4 seconds, first all-electric car from our favorite marque.



In looking at the car, it was obvious this was a Porsche. Parked near a new 992 Carrera, the shared design features between the two cars were easy to identify. It is sleek, comfortable, a beautiful interior, four doors, and makes no noise. While this may be a criticism of some, for the first time many Porsche owners might actually use the entertainment system in their car. How many Blaupunkts, still to this day, have not been turned on because they obscure the sound of that beautiful flat six. But I digress.



As we know, all Porsches are performance vehicles. The Taycan is no different. There is the afore mentioned 0-60 speed. In addition, the Turbo S model is rated at 750 hp., has active aerodynamics, ceramic composite brakes, and a top speed of 162 mph. All of this to make your ride both comfortable and exhilarating.

It is the focus on performance that makes the Taycan distinct. Yes, there is a criticism of a range limitation of 192 miles. This is less miles than its closest competitor.



But, this is a choice made by Porsche. Through better battery management, a Taycan can go more than three laps around your typical road course without overheating (or catching fire). The Taycan can run the full Nürburgring strait off the dealer floor. Neither of these is possible with the competition.



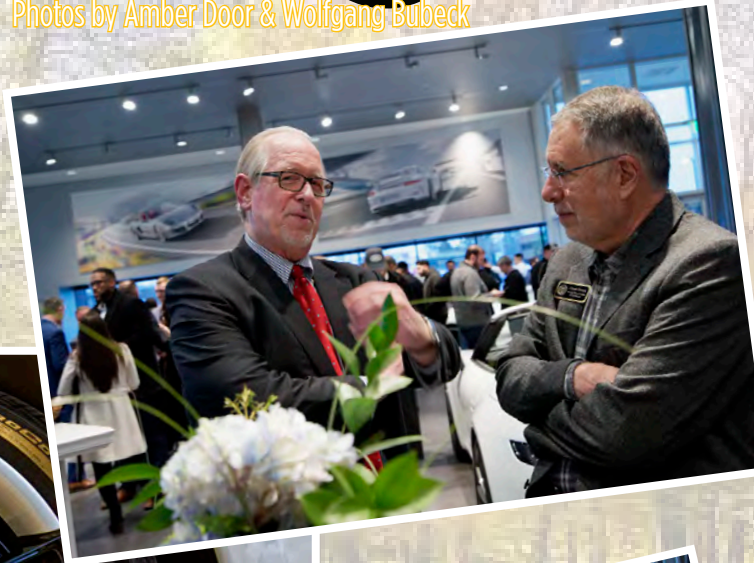
Clearly electric cars are here to stay. When Porsche enters a market, they do it with style, purpose, and just enough aggression to keep the car enthusiast interested. The Taycan is no different.



Feb & March Events 2020

Snap SHOTS

Photos by Amber Door & Wolfgang Bubeck



2020 EVENT CALENDAR

WESTERN MICHIGAN REGION · PORSCHE CLUB OF AMERICA

	Date	Event	Location	Host(s)/Event Chair(s)
APR	04-06	Monthly Board Meeting	Porsche Grand Rapids	WMR PCA
	04-18	Annual Cook-off	Ada, MI	Frank & Raeni Conner
MAY	05-04	Monthly Board Meeting	Porsche Grand Rapids	WMR PCA
	05-09	Lunch Drive	GR Auto Gallery of Grand Rapids	Glenn & Lannie Eisenbrandt
	05-16	Sporting Clays	Blendon Pines Gun Club Zeeland, MI	Jerry Arens & Amber Door
JUN	06-01	Monthly Board Meeting	Porsche Grand Rapids	WMR PCA
	06-06	Tech Session	Euro Autowerks Rockford, MI	Euro Autowerks
	06-13 tentative	Spring Up	Traverse City, MI	TBD
	06-21	Start of Porsche Parade	Palm Springs, CA	PCA
	06-27	End of Porsche Parade	Palm Springs, CA	PCA
	JUL	07-06	Monthly Board Meeting	Porsche Grand Rapids
07-11		Deutsch Marques: A German Auto Event	Gilmore Car Museum Hickory Corner, MI	Non-WMR PCA Event
07-18		Pool Party	Ackerman's House	Craig & Chris Ackerman
07-22		Gilmore Cruise In	Gilmore Car Museum Hickory Corners, MI	Rick Riley
07-29		Gilmore Cruise In rain date	Gilmore Car Museum Hickory Corners, MI	Rick Riley
AUG	08-01	Red Barn Spectacular	Gilmore Car Museum Hickory Corners, MI	Jerry Arens & Amber Door
	08-03	Monthly Board Meeting	Porsche Grand Rapids	WMR PCA
	08-15	Porsches & Barbeque	Allegan, MI	CB & Kelly Bursk
SEP	09-12 to 09-13	Grand Prix of Grattan High Performance Driver's Education	Grattan Raceway, Grattan, MI	WMR PCA, Ted Blacklidge
	09-14	Monthly Board Meeting	Porsche Grand Rapids	WMR PCA
	09-26	Fall Color Tour	Traverse City	TBD
OCT	10-03	Dinner Drive	Ceder Springs Brewing Company	Paul & Renee Krapp
	10-05	Monthly Board Meeting	Porsche Grand Rapids	WMR PCA
	10-10	Dinner Drive	TBD	Randy & Lin Portoluri



PORSCHE

ADDITIONAL EVENTS WILL BE ADDED AS THEY BECOME AVAILABLE

	Date	Event	Location	Host(s)/Event Chair(s)
NOV	11-02	2021 Planning & Board Meeting	Linear Restaurant Grand Rapids, MI	WMR PCA
	11-21	November Dinner Drive	Railtown Brewing Company Dutton, MI	Jim & Kim Chiavaras
DEC	12-07	Monthly Board Meeting	Porsche Grand Rapids	WMR PCA
	12-12	Annual Appetizer Party	West Olive, MI	Mike Karluk & Barb Doss

IN REVIEW: DAYLIGHT SAVINGS BRUNCH

BY: WOLFGANG BUBECK

PHOTOS BY AMBER DOOR & WB

The new location at One Trick Pony for our brunch was well received with 27 reservations.

Thanks to all participants for joining the last event before the socializing restrictions due to COVID-19.

Hopefully not too many upcoming events have to be missed. I hope to see y'all soon.



With increased COVID-19 awareness the first elbow bump greetings were shared, but communications were very active. Even new members found the way after a shortened night to join "The People" from our club. Chef Bob did a good job with his selection of menu items. Definitely the included Mimosas and Bloody Marys contributed to the well being of many.



For more PCA National and Inter-Regional events, visit:
<https://www.pca.org/events>

For the full PCA Club Racing Schedule, visit:
<https://www.pca.org/club-racing>



DEMING'S III
Auto Collision
Service Inc.

Find us on
Facebook

- Hagerty Insurance approved/
preferred facility
- We work with all insurance companies
- Repairing all makes and models,
foreign & domestic
- Three experienced technicians with
over 50 years of experience

2493 W. State Rd.
Hastings, MI 49058 demingsautocollision.com
(269) 945-2922 demingsrv.com

HAGERTY *Approved & Preferred*
WMR PCA Member Since 1987

GLEN GORDON

231-995-0041



LAKESIDE
AUTOMOTIVE

Maintenance and Repair

www.LakesideAutoTC.com

3439 CASS ROAD TRAVERSE CITY, MI 49684

- Porsches are Our Passion
- All PCA Member Receive **10% OFF PARTS**
- We Can Also Service **ALL** Your Other Vehicles

Hours: Monday-Friday, 8-5
Over 30 Years German Car Experience



WMR PCA Member Since 2013



Great Lakes Chemical
Detailing & Auto Appearance

870 40th Street SE * Grand Rapids, MI 49508 * 616-246-5134

www.glchemical.com



- * Paint Corrections
- * Interior Detailing
- * Scratch Removal
- * Road Paint Removal
- * Odor Abatement
- * Paint Protection with
Coupon Service

**The Experts in
Hand Washing
And Professional
Auto Detailing!**

*" After 27,000 miles of Michigan driving
and 18 DE track days at Grattan and
Gingerman, our beloved 2007 Porsche 911
Turbo was brought back to showroom
appearance by Great Lakes Chemical. It
looks almost better than new. A big thanks
to Terry and Curt for the outstanding job."*

- Ted and Gabriele Blackledge

Hand Polish - \$129 OR Machine Wax - \$60



GERMAN AUTO Service, LTD.

Serving the West Michigan Porsche community for over 30 years!

- Routine maintenance to track proven upgrades
- Outstanding customer service
- State of the art diagnostic equipment
- ASA master certified technicians
- Free shuttle service
- Conveniently located near downtown Grand Rapids

**10% OFF PARTS FOR
PORSCHE CLUB MEMBERS!**



(800) 260-8000
www.germanautoltd.com
1014 Scribner NW
Grand Rapids, MI 49504



Acura - Audi - BMW - Bentley - Honda - Infinity - Jaguar
KIA - Land Rover - Lexus - Mazda - Mercedes
Nissan - Porsche - Saab - Toyota - VW - Volvo



www.ForeignCarServicesMi.com

Serving Enthusiasts since 1987

A higher level of service at a better value!
Complete high performance tuning for Club Racers.
Enjoy complimentary Keurig coffee, water and
free WiFi in our comfortable Customer Lounge!



269-342-6994

Visit us at our NEW location:
8730 Shaver Rd
Portage, Michigan 49024
Hours: M-F 8am - 5:30pm

WMR PCA Member Since 1995

IN REVIEW: GARAGE KEPT MOTORS VISIT

BY: TYAN ROELANDS

PHOTOS BY: AMBER DOOR



PCA would like to thank **Garage Kept Motors** for hosting the West Michigan Region Porsche Club of America. The event was a huge success. We enjoyed catered BBQ from Daddy Pete's BBQ, touring their showroom of 100+ cars



including many unique and rare Porsches from all over North America and drinks from the coolest mini (cooper) bar ever!





Contributed by WMR PCA member
 Tim Thatcher, ASE-Certified Master Technician
 and Owner, Euro Autowerks

Maintaining Your Porsche

Maintaining your Porsche has become confusing, so it is necessary that you know the year, model and your car's various options to correctly determine what your Porsche service needs are.

Keep in mind also that maintenance items are based on not only miles driven, but on time. So how do we know what maintenance is needed and when?

Many Porsches have maintenance indicators, but not all do! In addition, the indicators only cover some of the basic needs. So just following the indicators may leave out some of your car's important maintenance needs. Fortunately, there are two sources of information available to determine the correct maintenance your car requires.

The first choice would be the owner's manual. Next, I would encourage you to go online and print a maintenance checklist for your Porsche. If you need help printing the correct list, give us a call, I can help you with that.

Printed versions should cover not only needs by mileage but by time as well. For example, a brake fluid flush is a maintenance item that is required every two years. (A time requirement)

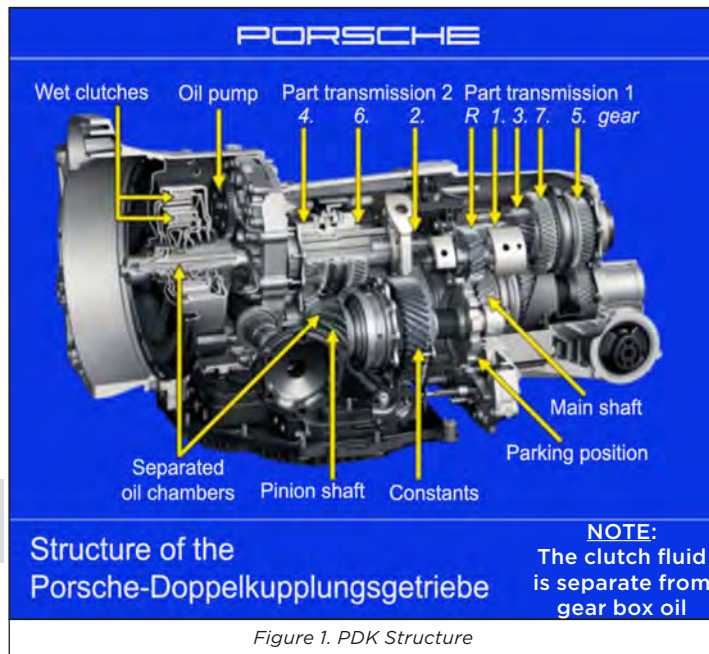


Figure 1. PDK Structure

I've noticed that timing requirements for Porsche-Doppelkupplungsgetriebe (PDK) transmission clutch service has come up quite often lately. Here again you will need to refer to what your Porsche maintenance schedule recommends. For example, PDK service in Panameras is recommended every 60K miles and in Macans every 40K miles.

Remember, changing the clutch fluid does not change the gear box oil! There are also filters involved with changing the PDK clutch fluid (see Figure 1 and Figure 2).

Also, in many of our 4-wheel drive Porsches, there are viscous couplers and differential fluids that need to be changed as well. Changing fluids as scheduled and keeping them clean, goes a long way in preserving your Porsche.

Well, again it's that time of year when we long for the sound of a Porsche going down the road. We anticipate the feel of the wheel and excitement it brings. As always, I encourage you to look your car over and make sure it's ready for the road before taking it out. A little bit of precaution can eliminate a lot of pain.

We still have calendars available so if you didn't get one yet, stop by and pick one up. It has all of the scheduled club activities and great pictures of past events.

We look forward to seeing each of you on the road.

Tim & Crew

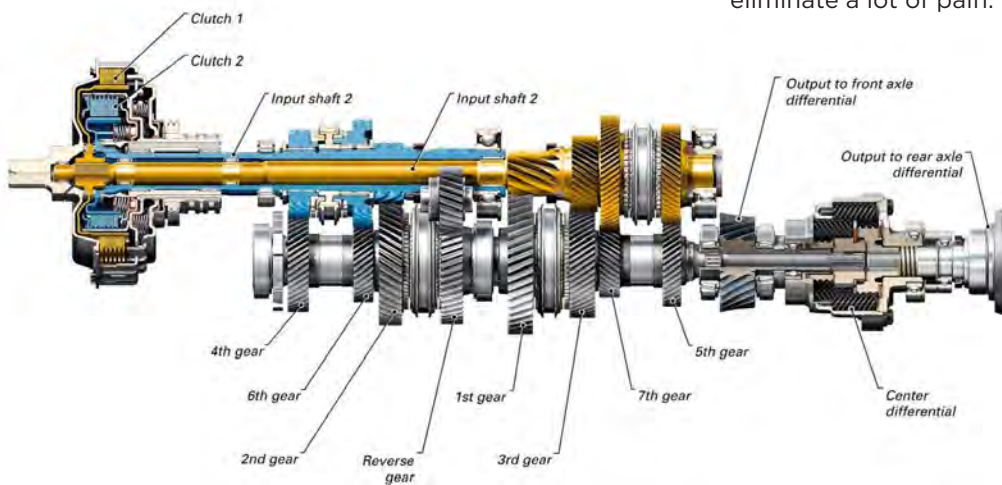


Figure 2. Dual Clutch Schematic

OFFICERS

SERVING YOUR CLUB



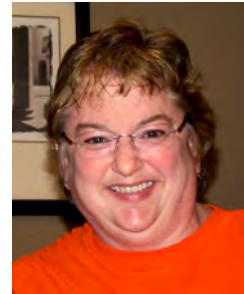
Jim Chiavaras
President,
2014 Cayman S

7505 Old Lantern Dr
Caledonia, MI 49316
(616) 293-5862
jpcdo@comcast.net



Frank Conner
Vice President,
2012 Carrera GTS

3820 Egypt Valley Ave NE
Ada, MI 49301
(616) 874-4085
connerfr@gmail.com



Marshall Walters
Secretary,
2014 Cayman ("Precious")

2578 Seymoure Drive
Shelbyville, MI 49344
(616) 780-1210
marshallwalters911@gmail.com



Amber Door
Treasurer,
1984 Porsche 911 Coupe

645 Summerset Dr.
Jenison, MI 49428-7938
(616) 340-0971
amdoor242@aol.com

IN REVIEW: DINNER AT SCHEANDORF BREWING CO.

BY: CB BURSK



2020 gave us an extra day this year so as a club we made the most of it with a dinner gathering at Schaendorf Brewing Company in Allegan.

We had about 30 members and friends come together for great drinks, food, and conversation. The restaurant was hosting a peanut butter drive for the local food bank and any member that

brought peanut butter was entered into a drawing for some Porsche door prizes. As usual the club didn't disappoint with their generosity as we added a large amount of peanut butter to the donation bin.



The Bursks are looking forward to making this an annual event. We just have to figure out a date that comes more than once every 4 years. We talked to some of the staff and they would like us to come back when the weather will allow the parking lot to be filled with Porsches!

CHAIRPERSONS · SERVING YOUR CLUB

Über Alles Co-Editors:

Wolfgang Bubeck (616) 780-6590
Lina Spross (616) 706-4422
uberwmr@gmail.com

Webmeister:

Craig Paull wmr.pca.org
pca.wmr.webmeister@gmail.com

Social Media:

Joyce Lo (616) 920-9998
wenpeng.lo@gmail.com

Social Events Coordinator:

Lynne Olenyk (616) 710-0122
lynniemarie@charter.net

Membership:

Jerry Arens (616) 457-4515
jdarens62@aol.com

Insurance Coordinator:

Tyan Roelands (616) 295-5715
tyanroelands@gmail.com

Historian:

Chuck Olenyk (616) 258-9575
olenyks@chartermi.net

Interim Advertising Co-Chair:

Ted Blackledge (616) 866-4143
sgrafex@chartermi.net

Interim Advertising Co-Chair:

John Walters (616) 260-1082
jwalters@wmis.net

Charity:

Lin Portoluri (616) 842-9266
lindaportoluri@charter.net

High Performance Driver's Ed:

Ted Blackledge (616) 866-4143
sgrafex@chartermi.net

Chief Driving Instructor:

Jeff Kolk (616) 836-3524
kolkrcing@gmail.com

AutoCross Event:

Michael Betz (616) 460-8880
mmbetz@image-stream.com

Safety Chair:

Eric Spross (616) 706-4421
ericpca911@yahoo.com

Registrar:

Amber Door (616) 340-0971
amdoor242@aol.com

WMR Enthusiast:

Glenn Eisenbrandt (269) 312-4984
GEisenbrandt@ssoe.com

Zone 4 Representative:

Lori Schutz (972) 890 7405
Scmink2@earthlink.net



CLASSIFIEDS

HARDLY USED OR ABUSED

911 DECK LID



Deck lid with wing will fit a 911. Excellent condition color blue but can easily be repainted. Asking \$985.00. For more information contact Bill White. Call or text (616) 836-1287 or email: bwhite@harboryachtsales.com.

911 TRACK WHEELS & TIRES



Set of four wheels/tires that will fit a 911. Great for track events or a new look for your Porsche. Only \$500.00 or

best offer. For more information contact Bill White. Call or text (616) 836-1287 or email: bwhite@harboryachtsales.com.

WHEELS & TIRES FOR SALE



Factory Porsche wheels with Michelin Pilot Sport A/S 3 tires. Fits Boxster or Cayman.

Front: 205/55 ZR 17 91Y
Rear: 235/50 ZR 17 96Y
Looking for best offer for the set. For more

information contact Jim Chiavaras. Call or text (616) 293-5862 or email: jpcdo@comcast.net

1998 BOXSTER 986, 5 SPEED



Well maintained by dealer or import specialist, solid 1998 Porsche 986 Boxster, 5spd, 63,000 miles. Smoke free, clean CarFax. Garaged and stored winters. Driven on dry days only. Over \$4,000 in recent maintenance. Newer convertible top with glass rear window. Includes custom cover and service manual. Will need tires (out of round) due to storage. Asking \$9000. Contact Eric at: erich524@gmail.com

WHEELS & TIRES



Wheels: O.Z. Leggera HLT Bright Race Grey

Front: 8.5 x 19 with 53mm offset 20.4 lbs

Rear: 11.0 x 19 with 50mm offset 23.5 lbs

Tires: Pirelli Winter Sottozero Series II
Front: 235/40R19 26.4" diameter, 24 lbs
Rear: 295/35R19 27.13" diameter, 29 lbs

Will fit all 2012 through 2016 911 Carrera 4 (991) models, may also fit 2009 through 2011 Carrera 4 models. **\$1000 for the set.**



Wheels: BBS SR Anthracite

Front: 8 x 18 with 21mm offset 27 lbs

Rear: 9 x 18 with 21mm offset 26 lbs

Tires: Pirelli Scorpion Winter
Front: 235/60 R18
Rear: 255/55 R18
Will fit all Macan models. **\$1000 for the set.**

Contact Charlie: ccdunn@comcast.net or call (616) 446-6966.

RARE PORSCHE PARTS

(4) 6 X 15 Fuchs wheels, P/N 911.361.020.10, 1975 date code, black centers, rim edges are untouched. Purchased in 1992 from Stuttgart House of Parts in Mooresville, NC for 914 project. Never mounted. \$1600 / OBO. Contact Bob Johnson at E-Mail: laser314@att.net or call (616)393-5990

911 FUCHS AND TIRES FOR SALE

Wheels and tires in good condition.
Front: 911362113, 6 x 16, ET36, 205 55 R16
Rear: 911362115, 7x16, ET23.3, 225 50 R16
Tires: Yokohama Advan A048 \$1300 (set).
Contact Eric Spross at (616)706-4421 or ericpca911@yahoo.com

JACKPOINT JACKSTANDS



As seen in Panorama and Excellence. Matte silver finish with low profile pads for Porsche. Stands are 12.5" high with pad. New, never used (my 911 is too low for my jack). \$275 in St Joseph, was \$319 new. Contact Jeff McGilliard, B767PW@gmail.com.

ADVERTISING RATES:

The ÜBER ALLES magazine is published monthly by the Western Michigan Region of the Porsche Club of America.

Full page:

Color: \$105/month
Black & White: \$70/month

1/2 page:

Color: \$70/month
Black & White: \$45/month

1/4 page:

Color: \$45/month
Black & White: \$30/month

1/8 page:

Color: \$30/month
Black & White: \$20/month

Note: Color ads receive premier placement. Contact editor for exact size requirements.

Deadline for ad delivery and payment is the 15th of each month.

Please send your ads to:

Wolfgang Bubeck
Phone (616) 780.6590
uberwmr@gmail.com

CLASSIFIEDS:

Free for WMR members, \$3 for non-region PCA members, \$5 (2 lines) or \$10 (4 lines) for non-PCA members (3 months)

Note: Members must contact editor to renew. Editor reserves right to edit ads. Please refer to prices above.

PAYMENT:

Please make checks payable to: WMR PCA

CLASSIFIEDS CONTINUED

HARDLY USED OR ABUSED

1985 911 CARRERA COUPE



Exterior is Garnet Red Metallic (a two year color) and the interior is Champagne Special Leather with Brown Surrounds. Dual Power Seats, Auto Heat, Sunroof & Tail. Low miles at 61k. Fuchs Wheels 16/7 & 8 bright finished. Maintenance includes all fluids changed, valve adjustment, new plugs & wires, battery, headlight switch, fog light switch.

Tires replaced in March 2015 at 55k. Sunroof & headliner alignment issues fixed to make them operate & appear as designed. All gauges operate properly. Mostly original paint is in exceptional condition. Original radio was changed. History traces this Carrera back to California and then to Michigan in 2001 with about 41k miles. The COA numbers match the car. No signs of abuse or accident when viewed on a rack. This classic is garage kept and stored during the winter months. This car has been completely sorted under my ownership so all you have to do is enjoy the ride!! Asking: **\$51,000**
Contact: Gary Castile,
Traverse City, (248)375-1189

AUTO DETAILING SERVICE

References available. Call or e-mail Eric at Professional Car Appearance, LLC, (616)706-4421 ericpca911@yahoo.com.



MOSAIC WEALTH MANAGEMENT LLC

Ted Vogt and Carol Dehen
LPL Registered Principals
4764 Fulton Street East, Suite 201
Ada, MI 49301
(616) 949-0900 (866) 949-0907
Securities offered through LPL Financial
Member FINRA/SIPC
WMR PCA Member Since 2012

THE TAILPIPE

Join me in congratulating these fine folks on their WMR PCA Anniversaries and extend a warm "Willkommen" to our new members and transfers.

Willkommen! – New Members & Transfers

Richard Bobian, Bear Lake, '85 911
Andrew Dufendach, Grand Rapids, '12 Cayenne Turbo
Marc Miller, Holland, '85 944
Damien Sanchez, Grand Rapids, '12 Boxster Spyder
Kevin Shea, Leland, '19 911 Targa GTS
Pam Valz, Holland, '08 911

Glückwünsche! – Anniversaries

1 year (2019) Brandon Lemons
5 year (2015) Bill & Tricia Dodds
Brian Gluck
10 year (2010) Jeffrey & Missy Diffenderfer
David & Patty Pellizari
20 year (2000) Jeff & Kelly Simonis
25 year (1995) Claudio Kaempf & Brenda Hildon Kaempf
Thomas & Luann Nemitz

Get your WMR PCA Name Badge!

These are very high-quality name badges, permanently printed on a sturdy framed plate. The magnetic attachment won't damage your clothes. Cost is \$15 each, free shipping! Please send your check and correct name spelling to:



Frank Conner
3820 Egypt Valley Ave
Ada, MI 49301

Please make your check payable to:
WMR PCA.



WESTERN MICHIGAN REGION,
PORSCHE CLUB OF AMERICA
C/O Wolfgang Bubeck
2970 Grand Isle Dr. NE
Belmont, MI 49306

PRSR STD
U.S. POSTAGE
PAID
GRAND RAPIDS, MI
PERMIT NO. 404

Über Alles is the official monthly publication of the Western Michigan Region of the Porsche Club of America, Inc., a non-profit organization registered with the state of Michigan. Statements and opinions appearing herein are those of the authors and do not necessarily represent the opinions of WMR PCA, PCA, its officers or members. The editor reserves the right to edit all material for publication and to publish only the material deemed appropriate and in the best interest of WMR PCA and of PCA. Permission is granted to reprint in whole or in part, provided that A) credit will be given to the author(s), Über Alles, and WMR PCA, B) copyright is not involved, and C) a copy of the article is provided to WMR PCA upon publication. Subscriptions for non-members are \$18.00 annually. Deadline for advertising & new content is on the 20th day of the month prior to the issue month. Über Alles is available electronically at <http://wmr.pca.org/>.

EURO AUTOWERKS
INC.

**West Michigan's #1
Independent Porsche
Repair Facility.**

Specializing in:
Porsche, Mercedes Benz, BMW, Audi,
Volkswagen, Volvo, SAAB & Mini Cooper

EURO AUTOWERKS, INC.
9240 Belding Road
Rockford, MI 49341
(616) 874-7932
www.euroautowerks.com
MON - FRI 8AM TO 5:30PM
Since 1984

Porsche Is Our Passion
PCA Member Discounts Available

Like Us On facebook

MEMBER SINCE 1974

ASE
AUTOMOTIVE SERVICE EXCELLENCE

BOSCH
SERVICE

“In the 10 years I have taken my cars to Euro Autowerks, Tim and his staff have never let me down. If you value excellent service, reasonable prices, impeccable honesty and a personal relationship with your technician, it's the place for you.”

Ed Blackwell, WMR -PCA Member